



Powering Innovation



PROTECTION + AUTOMATION + CONTROL

# SINGLE POLE, AC OVER VOLTAGE RELAY

## JRV 042

**JVS ELECTRONICS PVT. LTD.**

#121, Manchanayakanahalli,  
Bangalore Mysore Highway, Bidadi,  
Ramanagara District - 562 109, Karnataka, India  
+91 94808 26272, +91 94808 26260  
bangalore@jvselectronics.in, www.jvselectronics.in

## FEATURES

- ◆ Software based design
- ◆ Instantaneous/Definite time selection
- ◆ Wide auxiliary supply



## APPLICATION

Over Voltage Relay is used for protection of motors, generators and capacitor banks, feeder etc.

## PRINCIPLE OF OPERATION

The Relay, JRV 042, provides Over voltage protection for power systems. The Relay operating time is determined by the set definite time. The relay measures the voltage from input PT and if it exceeds above the set threshold, the relay extends a trip signal after the operating time, which is determined by set definite time. The relay output contacts are self reset type. The TEST button facilitates testing of relay contacts for the trip and alarm circuits.

## TECHNICAL DATA

### RATINGS

Voltage rating	:	110V / 230V /415 AC
Auxiliary supply	:	20 to 60V DC 75 to 150V DC 175 to 300V DC / 185-250V AC

### SETTINGS

Voltage setting	:	100 to 170% in steps of 5%
Definite time	:	0 to 25s in steps of 0.1s.

### OVER LOAD RATINGS

Voltage input	:	2 times Rated continuous
---------------	---	--------------------------

### BURDEN

Voltage input	:	Less than 2VA at Rated
Auxiliary supply	:	Less than 2W (Non Operated) Less than 5W (Operated)

### ACCURACY

Operating value	:	±5%
Operating time	:	± 5% or ± 20ms
Instantaneous Time	:	Less than 40ms

### CONTACT RATINGS

Ratings : 10A at 24V DC / 230V AC

### CONTACTS DURABILITY

Unloaded contact : 20,000 Operations

Loaded contact : 10,000 Operations

### INSULATION

1. 2KV RMS, 50 Hz for 1 minute / 2.5 KV for 1s . Between all terminals and cases .

2. 1 KV RMS, 50 Hz for 1 minute across open contacts

### MECHANICAL DESIGN

Weight : Approx. 1500 gms

Case size : 144sqmm with a depth of 117mm

Installation : Flush mounting

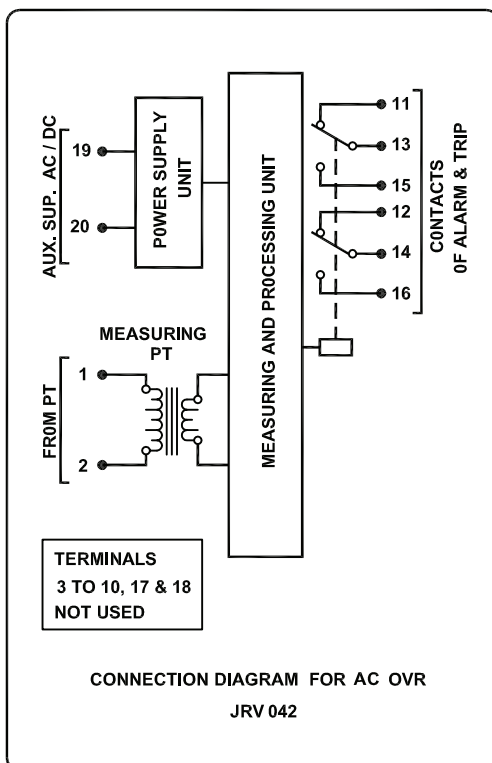
Panel cutout : 138 X 138 mm

### STANDARD COMPLIANCE

Accuracy Test : IEC 60255-151

Insulation Test : IEC 60255-27

### TERMINAL DIAGRAM



### ORDERING INFORMATION

Voltage rating : 110V / 230V / 415V AC

Relay type : JRV 042 (AC OVR)

Auxiliary supply : 20-60V DC

75-150V AC/DC

175-300 V DC / 185-250V AC