



Powering Innovation



PROTECTION + AUTOMATION + CONTROL

**SINGLE POLE, NON-DIRECTIONAL,
OVER CURRENT RELAY FOR LOCKED ROTOR PROTECTION
JRC 032**

JVS ELECTRONICS PVT. LTD.

#121, Manchanayakanahalli,
Bangalore Mysore Highway, Bidadi,
Ramanagara District - 562 109, Karnataka, India
+91 94808 26272, +91 94808 26260
bangalore@jvselectronics.in, www.jvselectronics.in

FEATURES

- ◆ Software based design
- ◆ Wide setting range
- ◆ Wide auxiliary supply
- ◆ Low burden

Application

The relay provides Over Current Protection for Generators, Motors, Transformers, Feeder etc., and where definite time protection is required.



PRINCIPLE OF OPERATION

The relay provides single pole over current protection for power systems. The Relay operating time is determined by the set definite time. The relay measures the current from input CT and if it exceeds the set threshold, it extends a trip signal after the operating time, which is determined by set definite time. The relay output contacts are self reset type. TEST button facilitates testing of relay.

TECHNICAL DATA

RATINGS

Current rating	:	1A / 5A
Auxiliary Supply	:	20 to 60V DC
	:	75 to 175V AC / DC
	:	175 to 300V DC
	:	185 to 250V AC

SETTINGS

JRC 032 O/C setting	:	25 to 400% in steps of 25 % or 50 to 800% in steps of 50%
	:	0 to 25s in steps of 0.1s
Definite time setting	:	0 to 25s in steps of 0.1s

OVER LOAD RATINGS

Current input	:	2 times Rated continuous
	:	20 times Rated for 3s
	:	40 times Rated for 1s

BURDEN

Current input	:	0.2 VA at Rated 5A
	:	0.05VA at Rated 1A
Aux. Supply	:	Less than 3W (Non Operated)
	:	Less than 5W (Operated)

ACCURACY

Operating value : $\pm 5\%$
 Operating Time : $\pm 5\%$ or $\pm 20\text{ms}$
 Instantaneous time : Less than 40ms

CONTACT RATINGS

Relay rating : 10A at 24V DC/230V AC

CONTACT DURABILITY

Loaded contact : 10,000 operations min.
 Unloaded contact : 100,000 operations min.

INSULATION

1. 1. 2KV RMS, 50 Hz for 1 minute / 2.5 KV for 1 sec. between all terminals and earth
2. 1 KV RMS, 50 Hz for 1 minute across open contacts

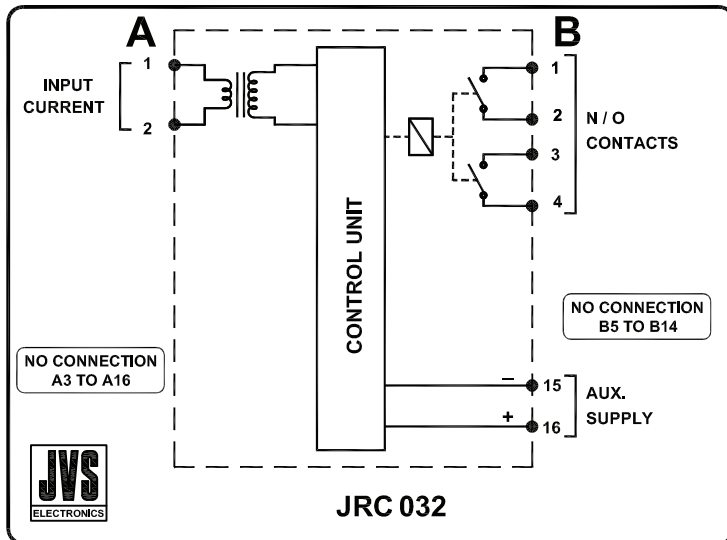
MECHANICAL DESIGN

Weight : 2000 gms. (approx)
 Case Size : 144sq mm, depth 232mm
 Installation : Flush mounting
 Panel cutout : 138mm x 138mm

STANDARD COMPLIANCE

Accuracy Test : IEC 60255-3
 Insulation Test : IEC 60255-5

TERMINAL DIAGRAM



ORDERING INFORMATION

Current rating : 1A / 5A
 Relay Type : JRC 032
 Aux. Supply : 20 to 60V DC
 75 to 175V AC/DC
 175 to 300V DC
 185 to 250V AC