



Powering Innovation



PROTECTION + AUTOMATION + CONTROL

# SEMAPHORE INDICATOR FOR BREAKER JAV 041

**JVS ELECTRONICS PVT. LTD.**

#121, Manchanayakanahalli,  
Bangalore Mysore Highway, Bidadi,  
Ramanagara District - 562 109, Karnataka, India  
+91 94808 26272, +91 94808 26260  
bangalore@jvselectronics.in, www.jvselectronics.in

## FEATURES

- ◆ Attracted armature design
- ◆ Continuously rated coils
- ◆ Compact, dust proof moulded case
- ◆ High operating torque
- ◆ Low power consumption



## APPLICATION

Automatic status indication of circuit breakers on mimic diagram of control panels.

## DESCRIPTION

The indicator consists of an armature which rotates between the poles of an electro magnet. The indicator pointer which is black in colour, is fixed to the armature and turns against a white background. When the circuit breaker is in closed position, the pointer bridges the gap between the lines and provides continuity in the mimic diagram. When the circuit breaker is in open position, it takes up a position which is at right angles to the mimic. If the supply to the indicator fails, then it takes up an intermediate position i.e. at 45°.

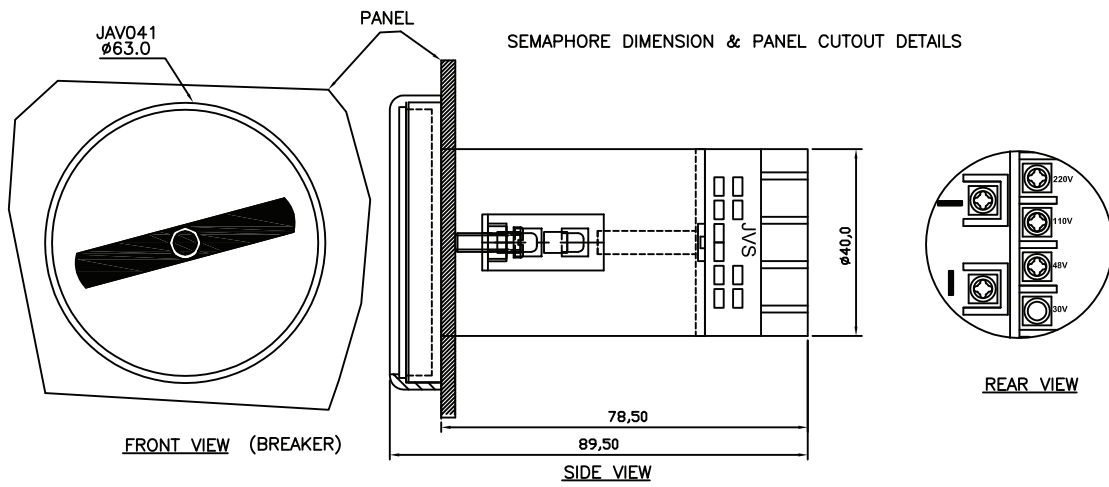
The indicator is housed in a cylindrical moulded case and is designed essentially for flush mounting on control panels. A mounting clamp is provided on the case for fixing on to the panel.

JAV 041 is used for circuit breakers with a bezel diameter of 63mm, the panel cut out dimension is 41mm dia. The indicator coil is basically designed for 30V, 110V, 220V DC rating. For 220V DC application, a screw type series resistor is supplied which can be directly screwed on to a terminal of the semaphore.

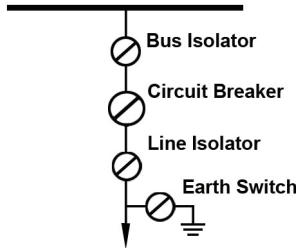
## TECHNICAL DATA

Rated Voltage	: 30V/110V DC, (Use External resistor for 220V DC - 3.75K, 6W)
Operating Voltage Range	: 80% to 120% of rated voltage range
Burden	: 1.5W at 24/30V DC
Insulation	: 2kV RMS, 50 Hz for 1 minute or 2.5kV RMS, 50Hz for 1 second between all terminals case.

# SEMAPHORE INDICATOR FOR BREAKER JAV 041



## TYPICAL MIMIC DIAGRAM



## OVERALL & PANEL CUTOUT DIMENSIONS

Rated Voltage in Volts	PANEL CUTOUT DIMENSION	Resistance in Kilo ohms
30	41 dia.	NA
110		NA
220		3.75K

## ORDERING INFORMATION

Type No. : JAV 041

Voltage Rating : 30V, 110V, 220V